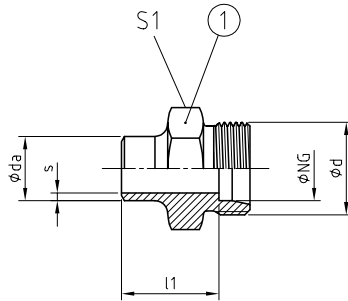


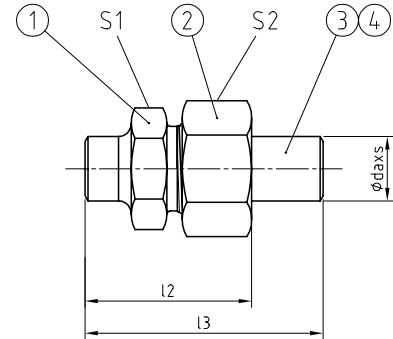
2



GAV [Pos. 1]



GAV [Pos. 1-4]



AVIT ≈ ISO 8434-1
BAUREIHE / SERIES: L = LIGHT / S = HEAVY

Die wirtschaftlichste Rohranschlussmöglichkeit.
Rohranschluss mit 24° Konusanschluss mit metrischem Gewinde nach ISO 8434-1.

The most economical solution for tube and pipe connections. Tube connection with 24° cone end with metric thread acc. to ISO 8434-1.

WERKSTOFF-KOMBINATION
MATERIAL COMBINATION

| Werkstoff, Oberfläche / Material, Surface | TYP NG - daxs - ** |
|---|--------------------|
| Stahl, Mutter verzinkt / Steel, union nut galvanised; NBR | GAV 25 - daxs - 01 |
| Stahl, Mutter verzinkt / Steel, union nut galvanised; FKM | GAV 25 - daxs - 02 |
| Stahl, Mutter phosphatiert / Steel, union nut phosphatised; NBR | GAV 25 - daxs - 04 |
| Stahl, Mutter phosphatiert / Steel, union nut phosphatised; FKM | GAV 25 - daxs - 05 |
| Edelstahl 1.4571 / Stainless steel AISI 316Ti; NBR | GAV 25 - daxs - 41 |
| Edelstahl 1.4571 / Stainless steel AISI 316Ti; FKM | GAV 25 - daxs - 42 |

BESTELLBEISPIEL
ORDER EXAMPLE

STÜCKLISTE
PARTS LIST

| Pos. | Bezeichnung / Description |
|------|---------------------------------------|
| 1 | Schweißstutzen / Welding stud |
| 2 | Überwurfmutter / Union nut |
| 3 | 24° Schweißkegel / 24° weld-on nipple |
| 4 | O-Ring Dichtung / O-ring sealing |

ROHRVERSCHRAUBUNGEN • VERBINDER UND ADAPTER
TUBE CONNECTIONS • CONNECTORS AND ADAPTERS

| REIHE SERIES | PN [bar] | NG [mm] | ABMESSUNGEN [mm] DIMENSIONS | | | | | GEWICHT WEIGHT | | BESTELLCODE ORDER CODE | | |
|-----------------|-------------|------------|--------------------------------|---------------|------|------------------|----|-------------------|-------|---------------------------|---------------|-----------------|
| | | | daxs | d | l1 | l2 _{ca} | l3 | S1 | S2 | [kg] | Pos. 1 | Pos. 1-4 |
| L | 100 | 15 | 15x1,5 | M22x1,5 | 22 | 39 | 59 | 22 | 27 | 0,041 | GAV 15x1,5 | GAV 15x1,5-daxs |
| | 160 | | 15x2,0 | | | | | | | | GAV 15x2 | GAV 15x2-daxs |
| | 100 | 18 | 18x1,5 | M26x1,5 | 23,5 | 43 | 62 | 27 | 32 | 0,063 | GAV 18x1,5 | GAV 18x1,5-daxs |
| | 160 | | 18x2,0 | | | | | | | | GAV 18x2 | GAV 18x2-daxs |
| | 160 | | 18x2,5 | | | | | | | | GAV 18x2,5 | GAV 18x2,5-daxs |
| | 160 | | 18x3,0 | | | | | | | | GAV 18x3 | GAV 18x3-daxs |
| | 160 | | 18x4,0 | | | | | | | | GAV 18x4 | GAV 18x4-daxs |
| | 100 | 22 | 22x2,0 | M30x2,0 | 28,5 | 47 | 68 | 32 | 36 | 0,095 | GAV 22x2 | GAV 22x2-daxs |
| | 160 | | 22x2,5 | | | | | | | | GAV 22x2,5 | GAV 22x2,5-daxs |
| | 160 | | 22x3,0 | | | | | | | | GAV 22x3 | GAV 22x3-daxs |
| | 160 | | 22x4,0 | | | | | | | | GAV 22x4 | GAV 22x4-daxs |
| | 100 | 28 | 28x2,0 | M36x2,0 | 30,5 | 50 | 74 | 41 | 41 | 0,155 | GAV 28x2 | GAV 28x2-daxs |
| | 100 | | 28x2,5 | | | | | | | | GAV 28x2,5 | GAV 28x2,5-daxs |
| | 100 | | 28x3,0 | | | | | | | | GAV 28x3 | GAV 28x3-daxs |
| | 160 | | 28x4,0 | | | | | | | | GAV 28x4 | GAV 28x4-daxs |
| | 100 | 35 | 35x3,0 | M45x2,0 | 33,5 | 58 | 85 | 46 | 50 | 0,237 | GAV 35x3 | GAV 35x3-daxs |
| 160 | 35x4,0 | | GAV 35x4 | | | | | | | | GAV 35x4-daxs | |
| 100 | 42 | 42x3,0 | M52x2,0 | 35 | 60 | 86 | 55 | 60 | 0,312 | GAV 42x3 | GAV 42x3-daxs | |
| 160 | | 42x4,0 | | | | | | | | GAV 42x4 | GAV 42x4-daxs | |
| S | 160 | 10 | 10x1,0 | M18x1,5 | 22,5 | 40 | 56 | 19 | 22 | 0,034 | GAV 10x1 | GAV 10x1-daxs |
| | 250 | | 10x1,5 | | | | | | | | GAV 10x1,5 | GAV 10x1,5-daxs |
| | 400 | | 10x2,0 | | | | | | | | GAV 10x2 | GAV 10x2-daxs |
| | 630 | | 10x2,5 | | | | | | | | GAV 10x2,5 | GAV 10x2,5-daxs |
| | 160 | | 12x1,5 | | | | | | | | M20x1,5 | 28,5 |
| | 320 | 12x2,0 | GAV 12x2 | GAV 12x2-daxs | | | | | | | | |

Fortsetzung nächste Seite | Continued on next page

| REIHE SERIES | PN [bar] | NG [mm] | NPS [inch] | ABMESSUNGEN [mm] DIMENSIONS | | | | | | | GEWICHT WEIGHT [kg] | BESTELLCODE ORDER CODE | |
|-----------------|-------------|------------|---------------|--------------------------------|---------|------|-----|-----|----|-------|---------------------------|---------------------------|----------------------|
| | | | | daxs | d | l1 | l2 | l3 | S1 | S2 | | Pos. 1 | Pos. 1-4 |
| S | 400 | 12 | - | 12x2,5 | M20x1,5 | 28,5 | 46 | 63 | 22 | 24 | 0,051 | GAV 12x2,5 | GAV 12x2,5-daxs |
| | 630 | | - | 12x3,0 | | | | | | | 0,530 | GAV 12x3 | GAV 12x3-daxs |
| | 250 | 16 | ¼" | 13,5x1,8 | M24x1,5 | 31,5 | 52 | 74 | 27 | 30 | 0,079 | GAV 16>13,5x1,8 | GAV 16>13,5x1,8-daxs |
| | 320 | | ¼" | 13,5x2,6 | | | | | | | 0,086 | GAV 16>13,5x2,6 | GAV 16>13,5x2,6-daxs |
| | 250 | | ¼" | 13,7x2,2 | | | | | | | 0,082 | GAV 16>13,7x2,2 | GAV 16>13,7x2,2-daxs |
| | 320 | | ¼" | 13,7x3,0 | | | | | | | 0,086 | GAV 16>13,7x3 | GAV 16>13,7x3-daxs |
| | 160 | | - | 16x1,5 | | | | | | | 0,076 | GAV 16x1,5 | GAV 16x1,5-daxs |
| | 250 | | - | 16x2,0 | | | | | | | 0,079 | GAV 16x2 | GAV 16x2-daxs |
| | 320 | | - | 16x2,5 | | | | | | | 0,084 | GAV 16x2,5 | GAV 16x2,5-daxs |
| | 400 | | - | 16x3,0 | | | | | | | 0,086 | GAV 16x3 | GAV 16x3-daxs |
| | 160 | 20 | ¾" | 17,2x2,0 | M30x2,0 | 33,5 | 57 | 80 | 32 | 36 | 0,132 | GAV 20>17,2x2 | GAV 20>17,2x2-daxs |
| | 250 | | ¾" | 17,2x2,3 | | | | | | | 0,135 | GAV 20>17,2x2,3 | GAV 20>17,2x2,3-daxs |
| | 320 | | ¾" | 17,2x2,6 | | | | | | | 0,137 | GAV 20>17,2x2,6 | GAV 20>17,2x2,6-daxs |
| | 400 | | ¾" | 17,2x3,2 | | | | | | | 0,143 | GAV 20>17,2x3,2 | GAV 20>17,2x3,2-daxs |
| | 160 | | - | 20x2,0 | | | | | | | 0,123 | GAV 20x2 | GAV 20x2-daxs |
| | 250 | | - | 20x2,5 | | | | | | | 0,131 | GAV 20x2,5 | GAV 20x2,5-daxs |
| | 320 | | - | 20x3,0 | | | | | | | 0,137 | GAV 20x3 | GAV 20x3-daxs |
| | 400 | | - | 20x4,0 | | | | | | | 0,145 | GAV 20x4 | GAV 20x4-daxs |
| | 160 | 25 | ½" | 21,3x2,0 | M36x2,0 | 38 | 65 | 93 | 41 | 46 | 0,226 | GAV 25>21,3x2 | GAV 25>21,3x2-daxs |
| | 250 | | ½" | 21,3x2,6 | | | | | | | 0,235 | GAV 25>21,3x2,6 | GAV 25>21,3x2,6-daxs |
| | 250 | | ½" | 21,3x2,9 | | | | | | | 0,239 | GAV 25>21,3x2,9 | GAV 25>21,3x2,9-daxs |
| | 320 | | ½" | 21,3x3,7 | | | | | | | 0,248 | GAV 25>21,3x3,7 | GAV 25>21,3x3,7-daxs |
| | 160 | | - | 25x2,5 | | | | | | | 0,222 | GAV 25x2,5 | GAV 25x2,5-daxs |
| | 250 | | - | 25x3,0 | | | | | | | 0,231 | GAV 25x3 | GAV 25x3-daxs |
| | 320 | | - | 25x4,0 | | | | | | | 0,246 | GAV 25x4 | GAV 25x4-daxs |
| | 400 | | - | 25x5,0 | | | | | | | 0,260 | GAV 25x5 | GAV 25x5-daxs |
| | 160 | 30 | ¾" | 26,7x2,9 | M42x2,0 | 40,5 | 69 | 98 | 46 | 50 | 0,307 | GAV 30>26,7x2,9 | GAV 30>26,7x2,9-daxs |
| | 320 | | ¾" | 26,7x3,9 | | | | | | | 0,307 | GAV 30>26,7x3,9 | GAV 30>26,7x3,9-daxs |
| | 160 | | ¾" | 26,9x 2,3 | | | | | | | 0,297 | GAV 30>26,9x2,3 | GAV 30>26,9x2,3-daxs |
| | 250 | | ¾" | 26,9x3,2 | | | | | | | 0,320 | GAV 30>26,9x3,2 | GAV 30>26,9x3,2-daxs |
| | 160 | | - | 30x3,0 | | | | | | | 0,297 | GAV 30x3 | GAV 30x3-daxs |
| | 250 | | - | 30x4,0 | | | | | | | 0,318 | GAV 30x4 | GAV 30x4-daxs |
| | 320 | | - | 30x5,0 | | | | | | | 0,338 | GAV 30x5 | GAV 30x5-daxs |
| | 400 | | - | 30x6,0 | | | | | | | 0,352 | GAV 30x6 | GAV 30x6-daxs |
| | 160 | 38 | 1" | 33,4x2,6 | M52x2,0 | 44 | 77 | 109 | 55 | 60 | 0,480 | GAV 38>33,4x2,6 | GAV 38>33,4x2,6-daxs |
| | 250 | | 1" | 33,4x4,0 | | | | | | | 0,515 | GAV 38>33,4x4 | GAV 38>33,4x4-daxs |
| | 160 | | 1" | 33,7x2,6 | | | | | | | 0,478 | GAV 38>33,7x2,6 | GAV 38>33,7x2,6-daxs |
| | 250 | | 1" | 33,7x4,0 | | | | | | | 0,525 | GAV 38>33,7x4 | GAV 38>33,7x4-daxs |
| | 160 | | - | 38x4,0 | | | | | | | 0,500 | GAV 38x4 | GAV 38x4-daxs |
| | 250 | | - | 38x5,0 | | | | | | | 0,520 | GAV 38x5 | GAV 38x5-daxs |
| 320 | - | | 38x6,0 | 0,545 | | | | | | | GAV 38x6 | GAV 38x6-daxs | |
| 400 | - | | 38x8,0 | 0,590 | | | | | | | GAV 38x8 | GAV 38x8-daxs | |
| 160 | 50 | 1½" | 48,3x2,6 | M68x2,0 | 50 | 90 | 119 | 70 | 80 | 0,888 | GAV 50>48,3x2,6 | GAV 50>48,3x2,6-daxs | |
| 160 | | 1½" | 48,3x4,0 | | | | | | | 0,910 | GAV 50>48,3x4 | GAV 50>48,3x4-daxs | |
| 250 | | 1½" | 48,3x6,3 | | | | | | | 0,970 | GAV 50>48,3x6,3 | GAV 50>48,3x6,3-daxs | |
| 320 | | 1½" | 48,3x8,0 | | | | | | | 1,031 | GAV 50>48,3x8 | GAV 50>48,3x8-daxs | |
| 160 | | - | 50x5,0 | | | | | | | 0,900 | GAV 50x5 | GAV 50x5-daxs | |
| 250 | | - | 50x6,0 | | | | | | | 0,945 | GAV 50x6 | GAV 50x6-daxs | |
| 320 | | - | 50x8,0 | | | | | | | 0,958 | GAV 50x8 | GAV 50x8-daxs | |
| 400 | | - | 50x10,0 | | | | | | | 1,108 | GAV 50x10 | GAV 50x10-daxs | |

ROHRVERSCHRAUBUNGEN • VERBINDER UND ADAPTER
TUBE CONNECTIONS • CONNECTORS AND ADAPTERS

2