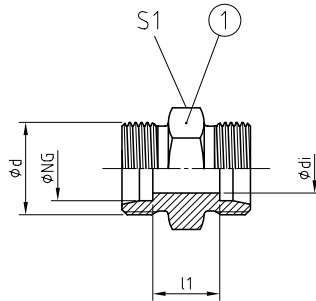


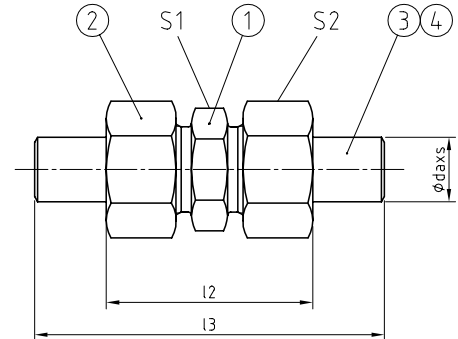
2



GV [Pos. 1]



GV [Pos. 1-4]



**AVIT, ISO 8434-1 – S**  
**BAUREIHE / SERIES: L = LIGHT / S = HEAVY**

Beidseitiger 24° Konusanschluss mit metrischem Gewinde nach ISO 8434-1

*Both ends with 24° cone end with metric thread acc. to ISO 8434-1*

**WERKSTOFF-KOMBINATION**  
**MATERIAL COMBINATION**

| Werkstoff, Oberfläche / Material, Surface          | TYP NG - daxs - ** |
|--|--------------------|
| Stahl, verzinkt / Steel, galvanised; NBR           | GV 25 - daxs - 01  |
| Stahl, verzinkt / Steel, galvanised; FKM           | GV 25 - daxs - 02  |
| Stahl, phosphatiert / Steel, phosphatised; NBR     | GV 25 - daxs - 04  |
| Stahl, phosphatiert / Steel, phosphatised; FKM     | GV 25 - daxs - 05  |
| Edelstahl 1.4571 / Stainless steel AISI 316Ti; NBR | GV 25 - daxs - 41  |
| Edelstahl 1.4571 / Stainless steel AISI 316Ti; FKM | GV 25 - daxs - 42  |

**BESTELLBEISPIEL**  
**ORDER EXAMPLE**

**STÜCKLISTE**  
**PARTS LIST**

| Pos. | Bezeichnung / Description             |
|------|---------------------------------------|
| 1    | Verbindungsstutzen / Union connector  |
| 2    | Überwurfmutter / Union nut            |
| 3    | 24° Schweißkegel / 24° weld-on nipple |
| 4    | O-Ring Dichtung / O-ring sealing      |

| REIHE<br>SERIES | PN<br>[bar] | NG<br>[mm] | ABMESSUNGEN [mm]<br>DIMENSIONS |    |    |     |     | GEWICHT<br>WEIGHT |    | BESTELLCODE<br>ORDER CODE |         |              |
|-----------------|-------------|------------|--------------------------------|----|----|-----|-----|-------------------|----|---------------------------|---------|--------------|
|                 |             |            | d                              | di | l1 | l2  | l3  | S1                | S2 | [kg]                      | Pos. 1  | Pos. 1-4     |
| L               | 250         | 10         | M16x1,5                        | 8  | 13 | 45  | 80  | 17                | 19 | 0,025                     | GV 10 L | GV 10 L daxs |
|                 | 250         | 12         | M18x1,5                        | 10 | 14 | 47  | 82  | 19                | 22 | 0,032                     | GV 12 L | GV 12 L daxs |
|                 | 250         | 15         | M22x1,5                        | 12 | 16 | 54  | 89  | 24                | 27 | 0,052                     | GV 15   | GV 15 daxs   |
|                 | 160         | 18         | M26x1,5                        | 15 | 16 | 55  | 93  | 27                | 32 | 0,071                     | GV 18   | GV 18 daxs   |
|                 | 160         | 22         | M30x2,0                        | 19 | 20 | 56  | 99  | 32                | 36 | 0,095                     | GV 22   | GV 22 daxs   |
|                 | 100         | 28         | M36x2,0                        | 24 | 21 | 60  | 107 | 41                | 41 | 0,144                     | GV 28   | GV 28 daxs   |
|                 | 100         | 35         | M45x2,0                        | 30 | 20 | 69  | 122 | 46                | 50 | 0,224                     | GV 35   | GV 35 daxs   |
|                 | 100         | 42         | M52x2,0                        | 36 | 21 | 70  | 123 | 55                | 60 | 0,311                     | GV 42   | GV 42 daxs   |
| S               | 800         | 10         | M18x1,5                        | 7  | 17 | 52  | 85  | 19                | 22 | 0,045                     | GV 10   | GV 10 daxs   |
|                 | 630         | 12         | M20x1,5                        | 8  | 19 | 55  | 88  | 22                | 24 | 0,064                     | GV 12   | GV 12 daxs   |
|                 | 630         | 16         | M24x1,5                        | 12 | 21 | 62  | 106 | 27                | 30 | 0,092                     | GV 16   | GV 16 daxs   |
|                 | 420         | 20         | M30x2,0                        | 15 | 23 | 71  | 116 | 32                | 36 | 0,156                     | GV 20   | GV 20 daxs   |
|                 | 420         | 25         | M36x2,0                        | 19 | 26 | 80  | 135 | 41                | 46 | 0,275                     | GV 25   | GV 25 daxs   |
|                 | 420         | 30         | M42x2,0                        | 24 | 27 | 84  | 143 | 46                | 50 | 0,358                     | GV 30   | GV 30 daxs   |
|                 | 420         | 38         | M52x2,0                        | 30 | 29 | 94  | 159 | 55                | 60 | 0,607                     | GV 38   | GV 38 daxs   |
|                 | 420         | 50         | M68x2,0                        | 38 | 36 | 115 | 174 | 70                | 80 | 1,197                     | GV 50   | GV 50 daxs   |